

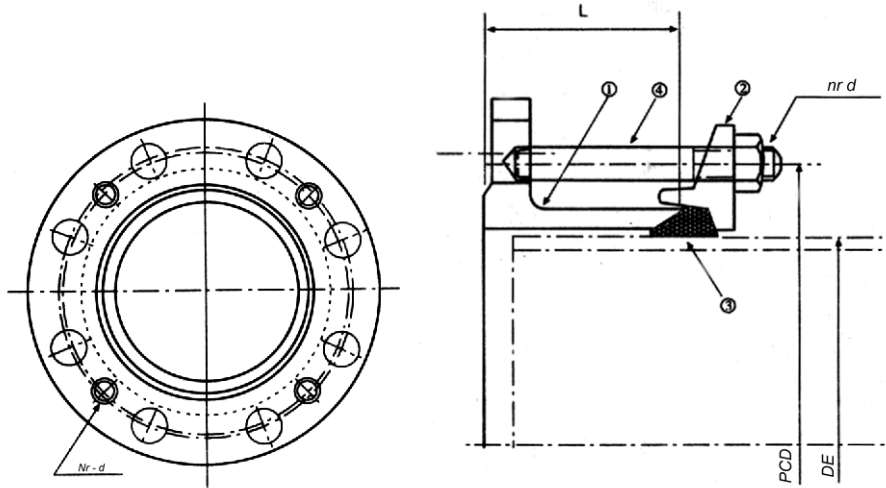


DISMANTLING JOINT T-RK (FA)

Nominal pressure:
PN 10/16

Flange connection:
ISO 2531

Hygenic. cert. PZH:
HK/W/0256/01/2007



Ductile Iron Flange Adapter T-RK (FA).
Designed for installation of Ductile Iron piping.

Anticorrosion protection (OPTIONS):

- internally and externally coated with bitumen, admitted to contact with drinking water
- epoxy powder coating EKB (electrostatic plastic coating, according to RAL-G2662)

No.	Description	Material
1	Flange adaptor	Ductile Iron
2	Gland	Ductile Iron
3	Gasket	Rubber EPDM
4	Bolts (DIN 975) & Nuts	Zinc plated

Nom. Diam. DN [mm]	Pipe outs. Diam. DE [mm]	L [mm]	PCD [mm]	Stud Bolt		Mass	
				M	i Qty.	PN10 [kg]	PN16 [kg]
80	98	70	166	M16	4	3.6	3.6
100	118	70	187	M16	4	4.2	4.2
150	170	75	240	M16	4	6.4	6.4
200	222	75	293	M16	4	8.6	8.3
250	274	90	346	M16	6	12.4	12.1
300	326	90	410	M16	6	17.6	17.2
350	378	100	469	M20	8	21.0	23.5
400	429	100	521	M20	8	24.5	28.0
450	480	100	573	M20	10	27.0	34.0
500	532	100	626	M20	10	31.0	43.0
600	635	100	730	M20	10	40.0	61.5
700	738	100	837	M20	12	51.0	61.5
800	842	100	943	M20	12	65.5	78.0
900	945	100	1047	M20	14	75.0	89.5
1000	1048	105	1159	M20	14	100	128
1200	1255	115	1368	M20	16	144	188
1400	1462	145	1582	M24	18	194	235
1600	1668	165	1790	M24	20	271	237
1800	1875	185	1999	M24	22	321	400
2000	2082	205	2208	M24	24	389	483

- SPECIAL PERFORMANCE ON REQUEST -